

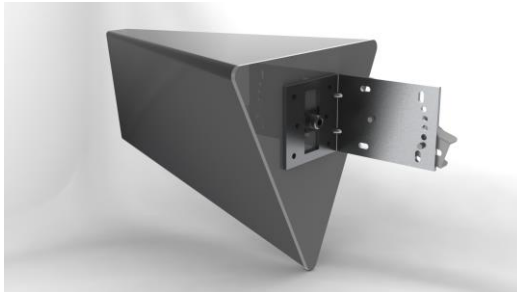
# Circularly Polarised LPDA Array

1100 – 1700 MHz

Product Code: LPDA-A0088

VERSION: 1.4

## SPECIFICATIONS:



<b>Electrical:</b>	
Frequency range	1100 – 1700 MHz
VSWR	< 2:1
Nominal input impedance	50 Ω nominal
Feed power handling	1 k W
Front-to-back ratio	20 dB
Gain	8 dBi typical
Axial ratio	< 3 dB typical (see graph)
Azimuth 3 dB beamwidth	60°
Elevation 3 dB beamwidth	60°
Polarisation	Circular (RHCP)
Connector	7/16 female
MTBF	50,000 hours
Groundplane	Not required
<b>Mechanical:</b>	
Dimensions (w x l)	350 mm x 250 mm
Material	Aluminium, stainless steel, fibreglass
Total mass	< 3 kg (including mounting bracket)
Mounting method	U-bolts supplied for 25 – 60 mm masts
<b>Environmental: designed to meet the following specifications</b>	
Wind survival	160 km/h (calculated)
Qualification	Design to comply with applicable parts of MIL-STD-810E
Temperature (operational)	-40 °C to + 70 °C

## PRODUCT FEATURES:

- High gain
- RH circular polarisation
- Rugged, lightweight and waterproof

## PRODUCT APPLICATIONS:

- High-power applications
- Radar

## PRODUCT DESCRIPTION:

The LPDA-A0088 circular polarised (CP) antenna is a wideband LPDA antenna array that covers the 1100 to 1700 MHz frequency band.

The antenna is right-hand circular polarised (RHCP) antenna and can therefore be used for vertical and horizontal, as well as cross-polarised signals. It is also suitable for radar applications.

The antenna is supplied with its mounting bracket.

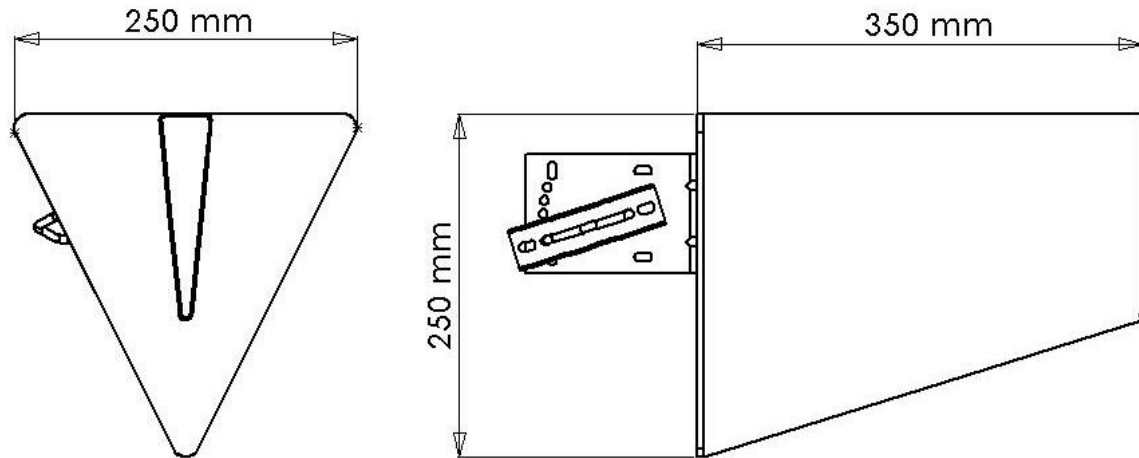
# Circularly Polarised LPDA Array

1100 – 1700 MHz

Product Code: LPDA-A0088

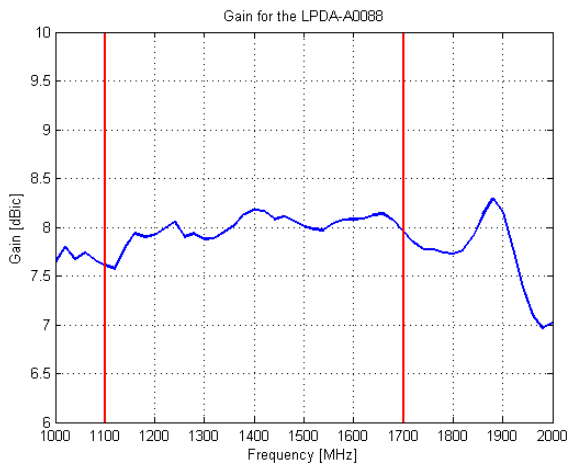
VERSION: 1.4

## PHYSICAL DIMENSIONS:

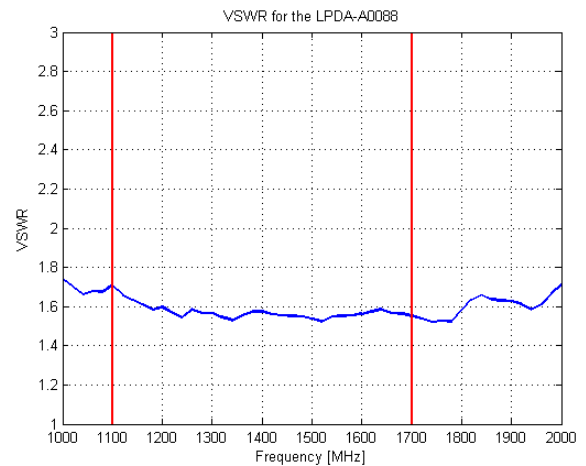


## VSWR AND GAIN CURVES:

### SIMULATED GAIN:



### SIMULATED VSWR:



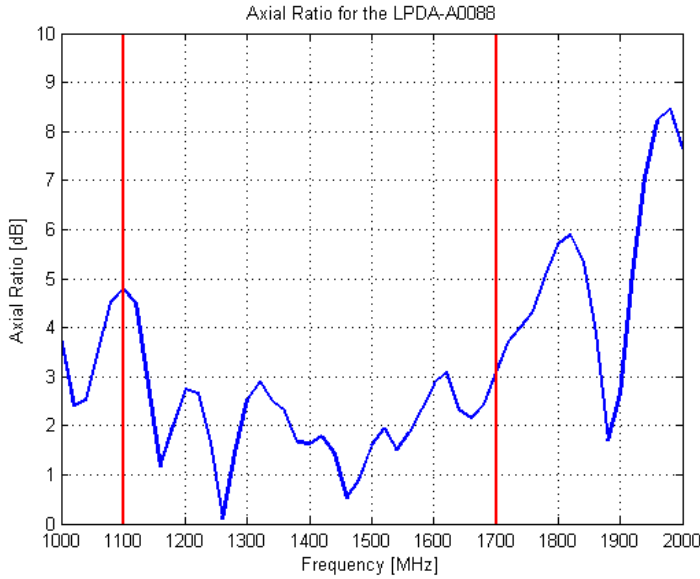
# Circularly Polarised LPDA Array

1100 – 1700 MHz

Product Code: LPDA-A0088

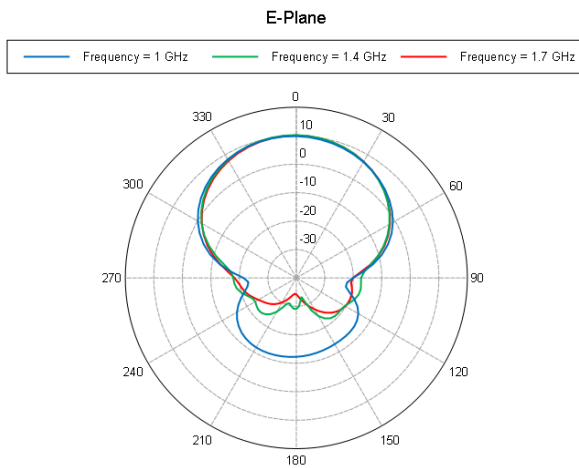
VERSION: 1.4

## AXIAL RATIO:



## RADIATION PATTERNS:

### Azimuth patterns:



### Elevation patterns:

